

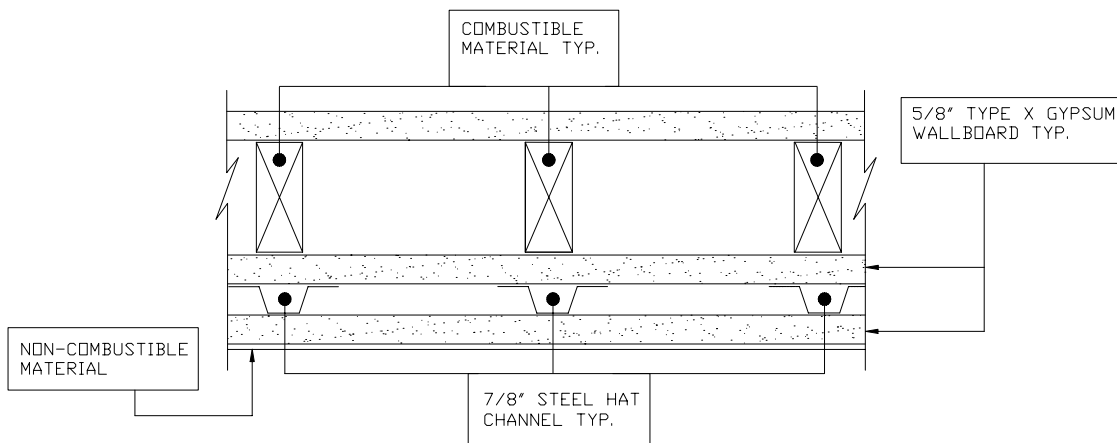


Municipality of Anchorage



Policy M.03 Type 1 Hood Clearances

The minimum clearance between combustible (wood stud) construction and a Type I hood is 18 inches. The required clearance may be reduced by building a separation wall between the combustible and the hood comprised of a minimum one layer of 5/8" type X gypsum wallboard, 7/8" steel hat channel, another layer of 5/8" type X gypsum wallboard, and a layer of smooth, cleanable, nonabsorbent noncombustible material (i.e., stainless steel) installed between the hood and the gypsum wallboard over an area extending not less than 18 inches in all directions from the hood.



Ron Thompson, Building Official
Date: March 13, 2008
(Ref: 06-12)