



Municipality of Anchorage Child Care Licensing Program

Introduction to the Provisional Child Care Licensing Process

(Keep this document for your business records)

This packet is designed to provide explanation and instructions to assist you in completing the requirements for a Provisional Child Care License. Child care licensing requirements are based on Municipality of Anchorage (MOA) code and State of Alaska (SOA) child care licensing statutes and regulations.

The code, statutes, and regulations are located on the MOA Child Care Licensing (CCL) Program and the SOA Child Care Program Office (CCPO) websites at:

MOA/CCL: <http://www.muni.org/Departments/health/DirectServices/Pages/Child.aspx>

SOA/CCPO: <http://dhss.alaska.gov/dpa/Pages/ccare/regs.aspx>

Applicants are expected to read the child care licensing code, statutes, and regulations thoroughly prior to licensure. Once licensed, a child care facility is required to comply with each code, statute, and regulation.

If you have questions at any time during your review of the child care licensing statutes and regulations or the licensing process, please contact the CCL Program at 907-343-4758 or email hsccl@muni.org.

The requirements and forms listed in this packet are all components of the licensing process for a Provisional Child Care License. Each form must be legibly completed and submitted with the required supporting documentation to the CCL Program to complete the licensing requirements for a Provisional Child Care License. Additional forms and resources are also available on the CCL website at:

<https://www.muni.org/Departments/health/DirectServices/Pages/Child.aspx>

Please note: Application packets submitted with incomplete forms or required forms missing will be considered incomplete and those incomplete or missing forms/items will be returned to the applicant delaying the licensing process.

Provisional Child Care Licensing Application Requirements

A complete application packet for a Provisional Child Care License must be submitted on forms supplied by the department as listed below, unless specified in this section or on the form, and include any additional supplemental documentation and action required, as applicable.

1. APPLICATION FOR PROVISIONAL CHILD CARE LICENSE

The *Application for Provisional Child Care License CC52* form provides the CCL Program with information the department needs to determine if the applicant/administrator meets regulatory requirements to operate a licensed child care facility. The application consists of several sections which all need to be completed. Some sections identify supplemental forms which also need to be completed, if applicable to your facility.

Plan review fee:

MOA applicants only: A fee is required with the application for a provisional child care license.

1 to 8 children	\$30.00
9 to 20 children	\$30.00
21 to 80 children	\$65.00
81 plus children	\$130.00

2. VALID CRIMINAL HISTORY CHECK

A valid criminal history check is required for all individuals described in 7 AAC 10.910(a) who are associated with a child care facility and who are 16 years of age or older. applicants/individuals are required to submit an application to the Alaska Background Check Program (BCP) and receive a valid criminal history check through the New Alaska Background Check System (NABCS) prior to having contact with children.

In order to obtain a criminal history check, you must have a myAlaska username and password as well as a valid email address. If you need to establish a myAlaska account, please visit: <https://my.alaska.gov> .

Once an application packet for a Provisional Child Care License is received by the CCL Program, additional instructions on how to obtain a valid criminal history check will be provided.

3. CPR AND FIRST AID

Regulations require all caregivers to have pediatric cardiopulmonary resuscitation (CPR) and First Aid certifications. A copy of both sides of the valid certifications must be submitted as part of your application packet.

4. STATE OF ALASKA BUSINESS LICENSE

The State of Alaska requires all businesses to obtain a State of Alaska Business License prior to operating. To apply on-line for a State of Alaska Business License to operate as a child care facility, visit:

<https://www.commerce.alaska.gov/web/cbpl/BusinessLicensing.aspx>. When applying for a business license to provide child care services, the primary or secondary line of business must be **62-Health Care and Social Assistance**, and the primary or secondary Northern America Industry Classification System (NAICS) code to be used is **624410 Child Day Care Services**. A copy of your State of Alaska Business License must be submitted as part of your application packet.

5. PLAN OF OPERATION

Child care licensing regulations require all licensed child care facilities to have a Plan of Operation. The following are required items that must be included in a child care facility's Plan of Operation and submitted with the application packet.

A. Organization Chart and Staffing Chart:

An organization chart is a graphic outline of the organizational layout of a licensed child care facility with more than one position, which includes the hierarchy of each position represented in the structure of the facility. The staffing chart lists every position and if known at the time of application, the staff member associated with each position, including: the administrator, child care associates, caregivers, substitute caregiver, cooks, etc. The information required in a staffing chart could be submitted on a separate document or included in the organizational chart.

For a child care home with only one position, an organization chart and staffing chart are not required; however, the facility's parent policies must include information regarding the use of substitutes and/or the procedures for closing the facility when the administrator/administrator designee is unavailable.

B. Facility Policies and Procedures, Plans, and Rules:

A licensed child care facility is required to adopt procedures, program descriptions, materials and forms into a policies and procedures manual and make it available to the Department, all employees, families enrolled in the facility, and other individuals associated with the facility. Your facility policies and procedures manual must include the following:

Parent Policies:

A licensed child care facility is required to provide parents with written information regarding their policies on enrollment and fees, typical daily schedules of activities, parent visiting and access, plan of supervision, and additional requirements as applicable. Enclosed is a *Child Care Facility Parent Policies Checklist CC77* outlining the information that must be provided in writing to parents at or before a child's admission. This checklist is enclosed to assist you in developing parent policies for your facility and should be cross referenced to ensure all items listed are included and submitted as part of your application packet.

Plan of Supervision:

A licensed child care facility is required to ensure children are supervised at all times, including when children are indoors, outdoors, when participating in activities away from the facility, naptime, and during transportation. The child care facility's policies must include the following: group size; child-to-caregiver ratios; and how children will be supervised at all times, including during periods of rest. Your Plan of Supervision may be included in your Child Care Facility Parent Policies.

Personnel Policies:

A licensed child care facility is required to create and maintain personnel policies that include, but are not limited to, the following: a job description for each position; qualifications required for each position; and a description of the facility's procedure for completing annual evaluations. A *Child Care Facility Personnel Policies Checklist CC60* is enclosed to assist you in developing personnel policies for your facility and should be cross referenced to ensure at minimum all "required" items listed are included and submitted as part of your application packet.

For a child care home, personnel policies are required only if the facility employs a substitute caregiver (Administrator Designee) or other qualified caregiver.

Facility Staffing Plan:

The *Child Care Facility Staffing Plan CC71* must include each caregiver's position and their daily schedule and reflect the facility's daily children's attendance to ensure appropriate child-to-caregiver ratios are maintained at all times.

For a child care home, a *Child Care Facility Staffing Plan CC71* is required only if the facility employs a substitute caregiver (Administrator Designee) or other qualified caregiver.

Disaster Preparedness and Emergency Evacuation Plan:

A licensed child care facility is required to create a disaster preparedness and emergency evacuation plan and submit it to the Department. A *Get Out Alive! Disaster Preparedness and Evacuation Plan CC67* has been provided for your convenience to document your facility's emergency evacuation plan or to use as a guideline for developing your own plan that meets licensing requirements.

Please Note: A *First Aid and Disaster Kit Checklist CC62* is included in this packet to assist you in ensuring your kits are complete.

Other Plans and Rules:

A licensed child care facility must submit any other plans or rules they have in addition to their policies and procedures and the required plans listed above, related to operating their facility. Examples may include but are not limited to, plan to address behavioral challenges; plan of care for children identified with special needs; plan for shared use spaces; and alternate outdoor recreation spaces.

Please Note: A *Plan for Shared Use of a Child Care Facility* CC73 is included in this packet for you to complete if applicable to your facility.

Once your complete application packet for a provisional child care license is received by the CCL Program, the following additional requirements will determine if your facility meets all of the regulatory health and safety requirements for licensure. Once these additional requirements are completed a Provisional Child Care License may be issued.

APPROVAL BY STATE OR LOCAL FIRE MARSHAL

Fire Inspection Report: Licensed child care facilities caring for six or more children must have an approval from their local or State of Alaska Fire Marshal's office depending on jurisdiction. Fire approval is not needed to be licensed for five or fewer children, unless required by a municipality to which the State Fire Marshal has deferred building fire safety inspection and enforcement activities under 13 AAC 50.075(c). A child care facility applying to operate any hours after 10:00pm or before 6:00am, or 24 hours a day will also need approval from their local or State Fire Marshal's office prior to a nighttime care specialization being approved by the department. After receipt of a complete application packet for a Provisional Child Care license, your Child Care Licensing Specialist will request the fire inspection from the appropriate Fire Marshal's office by submitting a *Fire Prevention Review of Application* request form. For applicants outside of Anchorage (Eagle River, Chugiak, Peters Creek, Eklutna, Indian, or Girdwood) the child care licensing specialist will provide you with contact information for the appropriate Fire Marshal's office, so you can contact them, as applicable to your facility's location. It is the responsibility of the applicant to ensure payment of any applicable fees. MOA applicants refer to Resource Handout.

APPROVAL BY ENVIRONMENTAL HEALTH FOOD SAFETY & SANITATION (FS&S) PROGRAM

Food Service (child care centers only): Licensed child care centers serving or preparing food may be required to obtain a *Food Service Permit*. Your Child Care Licensing Specialist will submit a request to the FS&S office requesting an inspection of the facility. FS&S will contact you regarding any forms that may need to be completed, any additional required documentation to submit, notify you of any associated fees (if applicable) and to schedule an on-site inspection. MOA applicants refer to Resource Handout.

Well Water (all facilities): If your facility has a well water system your water must be tested for Nitrates and Coliform and approved by a DEC authorized water testing laboratory. For a list of authorized water testing laboratories visit:

<https://dec.alaska.gov/applications/eh/EHLabStatus/MicroReport/Index>

A copy of the approved water test must be submitted as part of your application packet and annually thereafter.

Septic System (all facilities): If your facility has a septic system it must meet the requirements of 7 AAC 10.1030 Toilet facilities, sinks, showers, and bathing, and comply with wastewater disposal regulations 18 AAC 72. For more information visit:

<http://dec.alaska.gov/water/wwdp/onsite.aspx>

or contact the Alaska Division of Water at (907) 465-5180 or 1 (800) 770-8973. A copy of the approval or installation authorization received from DEC must be submitted as part of your application packet.

APPROVAL BY LOCAL CITY PLANNING AND/OR ZONING OFFICE(S)

Licensed child care facilities may be required to obtain specific approval or permits from their local city and/or zoning office(s) to operate a licensed child care facility in their community. It is your responsibility to contact your local city and/or zoning office(s) to determine if specific approval or permits are required and to take action as necessary to comply with the requirement(s). A copy of the approvals(s) or permits(s) must be submitted as part of your application packet. MOA applicants refer to Resource Handout.

PROVISIONAL CHILD CARE LICENSING ORIENTATION

The Provisional Child Care Licensing Orientation involves a thorough review of the child care licensing code, statutes, and regulations with the facility's Administrator, and if applicable, a representative of the facility's Governing Body. During this orientation the Administrator and /or board representative will have the opportunity to meet one-on-one with a Child Care Licensing Specialist and have any questions answered prior to licensure.

The Provisional Child Care Licensing Orientation will be completed with the Child Care Licensing Specialist at the facility during the scheduled on-site inspection appointment. Please plan at least three to five hours to complete both the Provisional Child Care Licensing Orientation and the on-site inspection during the facility visit. The amount of time necessary for the scheduled appointment will vary based upon the facility type and questions posed by the Administrator and/or board representative.

ON-SITE INSPECTION

The on-site inspection involves a thorough examination and evaluation to ensure the facility meets the regulatory health and safety requirements of licensure. Prior to the inspection, you will be provided with a copy of the *Child Care Licensing Inspection Checklist and addendum* used during the inspection for your review and preparation. Please note these checklists are not at all inclusive of child care licensing codes, statutes, and regulations.

A Child Care Licensing Specialist will inspect the premises, regardless of where care is planned to occur. The inspection includes a walkthrough of the inside of the facility, the outside property, and an examination of any vehicles(s) used to transport children to ensure all areas meet child care licensing requirements. All areas not meeting regulatory requirements during the inspection will be reviewed and discussed, and you will have an opportunity to make changes necessary to bring the facility into full compliance prior to a Provisional Child Care License being issued.

The inspection involves, but is not limited to, evaluation of the following: the overall environment, equipment, supplies, materials, and age appropriate toys and books required to be available for children in care, hot water temperature measuring between 100 and 120 degrees Fahrenheit throughout the facility; drawers, cabinets, and closets in bedrooms, bathrooms and kitchens inspected for health and safety concerns; and measurements of the square footage in care areas inside and outside of the facility to ensure there is sufficient

space appropriate for the number (capacity) of children for which the facility is applying to be licensed.

LICENSE FEE

MOA applicants only: A license fee is due before an on-site pre-licensing inspection is conducted. The fee depends on the licensed capacity approved by the CCL Program. You will receive an invoice at the time the Child Care Licensing Specialist schedules the on-site pre-licensing inspection.

1 to 8 children	\$50.00
9 to 20 children	\$125.00
21 to 80 children	\$250.00
81 plus children	\$375.00

COMPREHENSIVE GENERAL LIABILITY INSURANCE (AMC 16.55.115C.1)

MOA applicants only: A licensed child care facility is required to maintain comprehensive general liability insurance coverage at all times to include transportation coverage if applicable. Once the pre-licensing inspection is completed and the Child Care Licensing Specialist has determined the facility is eligible for a provisional child care license, you will be required to obtain insurance coverage in an amount not less than:

1. \$300,000 per occurrence, and \$300,000 aggregate, for a facility licensed for 5 or fewer children;
2. \$500,000 per occurrence, and \$500,000 aggregate, for a facility licensed for 6 through 8 children;
3. \$1,000,000 per occurrence, and \$1,000,000 aggregate, for a center licensed for 9 through 40 children; and
4. \$1,000,000 per occurrence, and \$2,000,000 aggregate, for a center licensed for 41 or more children.

The facility shall provide written proof of a policy required by AMC 16.55 with the initial application, whenever the policy is renewed, and when the facility’s license from the municipality is renewed.

PROVISIONAL CHILD CARE LICENSE ISSUANCE

Once you have met the requirements for licensure, a Provisional Child Care License will be issued for the child care facility with an effective date of the first day of the following month. A Provisional Child Care License is issued for a period of one year, during which time your facility will be monitored through announced and unannounced inspections and investigations (as applicable), to ensure compliance with child care licensing regulations and requirements. You must be able to demonstrate compliance with child care licensing codes, statutes, and regulations in order to remain licensed and be eligible to renew your license and receive a Biennial Child Care License.

Please Note: A licensed child care facility found out of compliance with child care licensing requirements may be subject to enforcement actions including but not limited to: specific conditions; fines, revocation; or non-renewal of licensure; and/or revocation of the ability to provide child care services in the State of Alaska.



**Municipality of Anchorage
Child Care Licensing Program**

Office Use Only

APPLICATION FOR PROVISIONAL CHILD CARE LICENSE

APPLICANT INFORMATION: This person must be the owner of the child care facility or if the business owner is a corporation, the president or registered agent according to the provider's State of Alaska business license. This person may be different from the individual (administrator) who is responsible for maintaining compliance with child care licensing regulations and the day to day operations of the facility.

Name of Applicant (Owner): _____ Title: _____

Social Security Number: _____ DOB: _____

Mailing Address:

(PO Box/Street)

(City/State/Zip)

Phone Number: _____ Fax Number: _____ Email Address: _____

My Alaska Account Name: _____

PROPERTY/BUILDING OWNER INFORMATION: If same as applicant, check the box below attesting there are no restrictions forbidding you to operate a child care business at the physical address of the facility noted on the next page. If different than applicant, each line in this section must be completed with the property owner's information and the property owner/manager must submit a signed and dated **Owner Permission to Operate a Child Care Business CC72** form, as evidence of permission to operate a licensed child care facility on the premises.

I attest that the covenants, home owners' association bylaws, and other applicable neighborhood restrictions do not forbid operating a child care business at this address.

Name of Property Owner: _____ Title: _____

Mailing Address:

(PO Box/Street)

(City/State/Zip)

Phone Number: _____ Fax Number: _____ Email Address: _____

FACILITY INFORMATION: Select the form of organization and enter the name of your child care facility as listed on your State of Alaska business license and any legal documents pertaining to your business. Research should be conducted prior to choosing the name of your facility to ensure the name chosen will not be confused with another facility.

- Cooperative Corporation Nonprofit Corporation Professional Corporation Religious Corporation S Corporation
- General Partnership Limited Liability Partnership Limited Partnership Sole Proprietorship
- Limited Liability Company

Name of Facility: _____

Physical Address: _____
(Street) (City/State/Zip)

Mailing Address: _____
(PO Box/Street) (City/State/Zip)

Phone Number: _____ Fax Number: _____

Email address: _____

FACILITY TYPE: Choose the type of child care facility license you are seeking. Approval of a facility type will be determined based on the requirements for the license type:

Home: Must have at least 1 caregiver/administrator who is at least 21 years of age, allows up to 8 children usually in an occupied residence, meets child to caregiver ratios, and must have 35 square feet of usable indoor space and 75 square feet of outdoor recreation space per child.

Center: Must have a qualified Administrator, a Child Care Associate for each 30 children, meet child-to-caregiver ratios, allows 9 or more children, and must have 35 square feet of usable indoor space and 75 square feet of outdoor recreation space per child.

Please note: Additional requirements per facility type may be applicable prior to licensure, for example: meeting local city planning and/or zoning ordinances, obtaining Fire Marshal approval (required if caring for 6 or more children by a municipality which the state Fire Marshal has deferred building safety inspection and enforcement activities under 13 AAC 50.075(c), or if operating any hours after 10:00 pm or before 6:00 am. or 24 hours a day) and receiving approval or meeting the Department of Environmental Conservation (DEC) requirements for well water, and/or a septic system, or for food service (MOA) Food Safety and Sanitation (FS&S) requirements if applicable. Occupancy rating, as applicable to facility type is based upon your local or State of Alaska Fire Marshal's office. The Fire Marshal's office will state whether or not you have to reside in the facility.

NUMBER OF CHILDREN TO RECEIVE CARE (capacity): Enter the number of children you want to be licensed for, in a home this will include your own children (including foster care children) younger than 13 years. For child care homes within the Municipality of Anchorage, no more than 6 children in care at any one time when initially licensed for the first twelve months. The capacity will be approved based on the child care facility meeting specific requirements by facility type, for example: required square footage per child, number of toilets and sinks in the facility, local planning and zoning ordinances, and local Fire Marshal approval.

Requested Capacity: _____

AGE RANGE: Enter the age range of the children you want to care for younger than 13 years of age, including your own children and foster care children if applicable.

Requested Age Range: _____ through _____

HOURS OF OPERATION: Enter the hours of the day (including a.m. or p.m.) and days of the week you want to operate your child care facility. Indicate "Closed" for days you are not in operation. If you are applying to operate any hours after 10:00 p.m. or before 6:00 a.m., or 24 hours a day, a **Request For Nighttime Care Specialization CC53** form must be completed and submitted with the application, for department approval. An approval for nighttime care will be necessary from your local Fire Marshal prior to a nighttime care specialization being approved by the department.

Sunday	Monday	Tuesday	Wednesday	Thursday	Friday	Saturday

PROGRAM ACTIVITY SPECIALIZATION: If you are applying for a program activity specialization for a moderate-risk activity such as: swimming, bicycle riding, etc., a **Request For Specialized Program Activity CC54** form must be completed and submitted with the application for department approval.

No Yes If yes, I have attached a **Request For Specialized Program Activity CC54** form for each of the following moderate-risk activities included in my program:

GOVERNING BODY INFORMATION: Mark the box applicable to your facility. If your facility will be governed by a board of directors or other body, submit a **Governing Body Information CC55** form with the application.

Will your Facility be governed by a board or other body? Yes No

PERSONS LIVING ON THE PREMISES OF THE CHILD CARE FACILITY: List ALL individuals living on the premises, starting with yourself (if applicable). A valid background check through the Alaska Background Check Program is required for all individuals associated with or living on the premises of the entity, who are 16 years of age and older, prior to licensure. Authority under: AMC 16.55.060, 7 AAC 57.010; 7 AAC 57.315; 7 AAC 10.900; 7 AAC 10.910.

Name (first last)	Title/Relationship	Date of Birth	Age	Drivers License #
1.				
2.				
3.				
4.				
5.				
6.				
7.				
8.				

ADMINISTRATOR INFORMATION: List the individual who is responsible for maintaining compliance with child care licensing regulations and the day to day operations of the facility. If the Applicant and the Administrator is the same person, please enter "same as applicant". An **Administrator Designation and Qualification Form CC56** and four **Child Care Facility Administrator Reference CC57** forms must be submitted with the application. CENTERS ONLY: In addition to the forms required for an Administrator, one or more **Child Care Associate Designation and Qualification Form(s) CC58** and three **Child Care Center Child Care Associate Reference CC59** forms must be submitted with the application for each Child Care Associate for every 30 children to receive care.

Name of Administrator: _____ Title: _____

Mailing Address: _____
 (PO Box/Street) (City/State/Zip)

Phone Number: _____ Fax Number: _____

Email Address: _____

LICENSING HISTORY: Indicate whether the Applicant and/or Administrator is currently or has previously been licensed, registered, certified, or approved to provide care for adults or children in any state. If yes is marked, please complete all of the boxes in this section. Include all types of care facilities, for example: assisted living, foster care, child care, etc.

Applicant: Are you currently or have you previously been licensed, registered, certified, or approved to provide care for children and/or adults? Yes No

If yes, complete the following:

Type of Facility	Name of Facility	Location of Facility (City and State)	Start and End Dates of License,

Administrator: Are you currently or have you previously been licensed, registered, certified, or approved to provide care for children and/or adults? Yes No

If yes, complete the following:

Type of Facility	Name of Facility	Location of Facility (City and State)	Start and End Dates of License,

APPLICANT AND ADMINISTRATOR CERTIFICATION AND SIGNATURE OF AGREEMENT:

Note: All sections of the application must be completely filled out and the signature of the Applicant and Administrator (if not the same person) are required in this section in order for the application to be considered complete. This section, in addition to the Alaska child care licensing statutes and regulations, should be carefully read and understood prior to signing the application.

I have read the applicable Municipality of Anchorage code and State of Alaska child care licensing statutes and regulations: AMC 16.55, AS 47.05, AS 47.32, 7 AAC 10, and 7 AAC 57 and understand and agree to comply with them;

I will cooperate with the Anchorage Health (AHD) through the licensing process and after license issuance, including inspection and investigation and permit representatives of the AHD to have full access to inspect and investigate the child care facility and premises, review records, interview staff and interview individuals and their families receiving services;

I understand that I am required to maintain and retain records necessary to demonstrate compliance with the Municipality of Anchorage code and the State of Alaska child care licensing statutes and regulations governing the facility. In addition, I will make these records available to the AHD or its authorized representatives, upon request; and

I certify that the contents of this application and information provided with it are true, accurate, and complete. I understand that willful misrepresentation of the information provided is cause for immediate denial of an application or later revocation of the license.

Facility Name

Applicant (Owner) Name (Print)

Signature of Applicant

Date

Administrator Name (Print)

Signature of Administrator

Date



Office Use Only

**Municipality of Anchorage
Child Care Licensing Program**

REQUEST FOR NIGHTTIME CARE SPECIALIZATION

This form is required to be submitted for a child care facility seeking to offer child care services any time after 10:00 p.m. or before 6:00 a.m., or 24 hours a day. Approval of this specialization is required regardless of the duration of services provided during this time period. An approval for nighttime care will also be necessary from your local or state fire marshal's office prior to a nighttime care specialization being approved by the department.

7 AAC 57.805. Nighttime care specialization. (a) A child care facility may not provide care between the hours of 10:00 p.m. and 6:00 a.m. unless the facility has a nighttime care specialization approved by the department. (b) A child care center that provides nighttime care shall provide a room away from sleeping children where children who are awake may engage in activities. (c) A child care home shall provide nighttime care to no more than five children, including the caregiver's own children* under 18 years of age.

Facility Name: _____

Facility Type: Home Center

Identify the hours you would like to provide nighttime care: _____

Maximum number of children you will have in care during nighttime care hours: _____
(This number must include your own children, including any foster children under 18 years of age)

In order to be approved for a nighttime care specialization, a facility must submit their nighttime care plan and attach any supporting documentation necessary to show compliance with licensing regulations with this form. A facility's nighttime care plan must include how the facility will provide the following:

- A shower, tub or sponge bath as needed for body cleanliness.
- Dinner, nighttime snack, and breakfast.
- Supervision for sleeping children in care.
- Accommodations for sleeping children.
- Accommodations away from sleeping children for children who are awake to engage in activities.
- Fire inspection report confirming approval for nighttime care.

Administrator Printed Name

Administrator Signature

Date



Office Use Only

**Municipality of Anchorage
Child Care Licensing Program**

REQUEST FOR SPECIALIZED PROGRAM ACTIVITY

This form is required when a child care facility is seeking to offer a moderate-risk activity as identified in child care licensing regulations as listed below. A separate form and supporting documentation must be submitted and approved by the department for each activity your facility would like to provide.

7 AAC 57.810 and AMC 16.55.280 Specialized program activities. (a) A child care facility may not provide a program of moderate-risk activities on a regular basis unless the facility has approval by the department for a specialized program activity. Moderate-risk activities include specialized program activities such as gymnastics, swimming, camping, wilderness walks, horseback riding, canoeing, skiing, climbing, fishing, skateboarding, rollerblading, scooter riding, and bike riding.

***Contact your Child Care Licensing Specialist with questions regarding other possible moderate-risk activities. ***

Facility Name: _____

Specialized Program Activity: _____

Facility Type: Home Center

Submit this form and attach a written plan with all supporting documentation necessary to show compliance with licensing regulations AMC 16.55.280. and 7 AAC 57.810. A specialized program activity plan must address how the facility will meet the following requirements:

- Ensure each employee reviews the plan and has a copy with them during each specialized program activity.
- Ensure the plan has emergency and injury control procedures for any specialized program activity conducted, and includes:
 1. Carrying or posting emergency telephone numbers.
 2. Identification of, respect for, and avoidance of potential weather hazards.
 3. Identification and warning to children of other potential hazards.
 4. Development of contingency plans to deal with lost children, accidents, and other emergencies.
- Ensure the facility's plan for supervision during the specialized program activity includes:
 1. The required child-to-caregiver ratios are maintained or increased as appropriate to the specialized program activity.
 2. Designated caregiver(s) to supervise the specialized program activity who has at least one year experience in the specialized program activity.
 3. Designated caregiver(s) to supervise the specialized program activity who has demonstrated the necessary competency, experience, and has special training for the activity (attach any applicable certificates).
 4. Designated caregiver(s) who has received special training to protect the health, safety, and welfare of the children who have special needs.
- Ensure the facility takes the following general health and safety precautions during a specialized program activity:
 1. Brings a full first aid kit.

2. Has at least one caregiver for every 20 children with first aid & CPR to accompany children.

Ensure the facility's plan addresses the following for boating activities:

1. List boating site and its facilities
2. Types of boats to be used
3. List life guards
4. List safety equipment to be used
5. Insurance coverage

Administrator Printed Name

Administrator Signature

Date



**Municipality of Anchorage
Child Care Licensing Program
GOVERNING BODY INFORMATION**

Office Use Only

Governing Body Information: This form is used by a facility operated by a governing body responsible for the oversight of the facility.

Name of Facility: _____

Name of Governing Body: _____

Mailing Address of Governing Body: _____
(PO Box/Street) (City/State/Zip)

Phone Number: _____ Fax Number: _____ Email Address: _____

Governing Body Representative: The individual listed in this section is the designated Governing Body Member (Representative) who the Department can contact regarding the application, or licensure of the facility.

Name of Governing Body Member: _____ Title: _____

Mailing Address: _____
(PO Box/Street) (City/State/Zip)

Phone Number: _____ Fax Number: _____ Email Address: _____

Governing Body Requirements:

Per 7 AAC 57.200, in a child care facility that is governed by a board or other body, the board or other body shall:

- Determine policy for the operation and management of the facility, specifically including: Process for conducting and reporting Criminal History Checks, compliance with Environmental Health and Safety requirements, and personnel policies required by 7 AAC 57.220;
- Adopt a job description that clearly describes the administrator's role and responsibilities (required as part of the child care facility's personnel policies);
- Appoint an individual who meets the qualifications of an administrator under 7 AAC 57.300 (requirement fulfilled through submission of *Administrator Designation and Qualification Form CC56* and four *Child Care Facility – Administrator Reference CC57* forms and approval by the Department);
- Annually evaluate the administrator's performance (compliance will be determined during on-site inspection of facility by a Child Care Licensing Specialist)
- Per 7 AAC 57.210, during periods when the administrator is absent from the facility, designate an onsite adult caregiver to act as on-site manager (Administrator Designee) in the administrator's absence, who meets the age and qualification requirements of 7 AAC 57.300(a) and (b). This requirement is fulfilled through submission of *Child Care Associate Designation and Qualification Form CC58*, and three *Child Care Facility – Child Care Associate Reference CC59* forms, or *Administrator Designee Designation and Qualification Form CC56*;
- Approve the annual budget of anticipated income and expenses to provide the services described in the statement of purpose and approve or take corrective action on financial audit reports (compliance will be determined during on-site inspection of facility by a child care licensing specialist);
- Conduct at least three board meetings each year and maintain minutes of each meeting (compliance will be determined during on-site inspection of facility by a Child Care Licensing Specialist); and
- Provide for orientation to new board members and biennial training for each board member on the role and responsibilities of a board member (compliance will be determined during on-site inspection of facility by a child care licensing specialist).

Governing Body Member Information: Child care licensing regulations require each individual that has an ownership or management interest in the facility to provide the name, mailing address, telephone number, fax number (if any), email address (if any), and their title. A valid criminal history check is required for any board member who has regular contact with children in care, access to personal or financial records maintained by the facility or provider regarding children in care, or control over or impact on the financial well-being of children in care.

Please document the required information on this form for all members of your governing body. If additional space is needed to provide information a separate sheet of paper may be used.

Governing Body Member:

Name of Governing Body Member: _____ Title: _____

Term: _____ Start Date: _____

Mailing Address: _____
(PO Box/Street) (City/State/Zip)

Phone Number: _____ Fax Number: _____ Email Address: _____

Governing Body Member:

Name of Governing Body Member: _____ Title: _____

Term: _____ Start Date: _____

Mailing Address: _____
(PO Box/Street) (City/State/Zip)

Phone Number: _____ Fax Number: _____ Email Address: _____

Governing Body Member:

Name of Governing Body Member: _____ Title: _____

Term: _____ Start Date: _____

Mailing Address: _____
(PO Box/Street) (City/State/Zip)

Phone Number: _____ Fax Number: _____ Email Address: _____

Governing Body Member:

Name of Governing Body Member: _____ Title: _____

Term: _____ Start Date: _____

Mailing Address: _____
(PO Box/Street) (City/State/Zip)

Phone Number: _____ Fax Number: _____ Email Address: _____



Office Use Only

**Municipality of Anchorage
Child Care Licensing Program**

ADMINISTRATOR DESIGNATION AND QUALIFICATION FORM

Name of Administrator Applicant: _____

Name of Facility: _____

This form provides the department with information about the individual who will be responsible for the day-to-day operations of the facility.

1. Read and mark the items applicable to your facility type and attach documentation to support compliance with licensing regulations. Supporting documentation includes but is not limited to, proof of:
 - **Age** – such as birth certificate, passport, or passport card, driver's license, or state identification card;
 - **Education and/or training** – such as transcripts, certificates of completion, training or employment training attendance records;
 - **Experience in child care, financial, and managerial/supervisory** – such as a resume documenting employment history summarizing job duties performed.
2. Attach four completed *Child Care Facility Administrator Reference CC57* forms signed and dated by the person making the recommendation. At least **one** reference must be from an individual who can attest to your professional skills. **Three** of the references must be from individuals who are not related to you.
3. Submit this form and all applicable attachments to the department for approval.

The Administrator must provide supporting documentation to demonstrate compliance with the following requirements based on their facility type:

An Administrator for a Child Care Home:

Must be at least 21 years of age.

An Administrator for a Child Care Center:

Must be at least 21 years of age.

Must have the management and supervisory skills necessary to select and supervise personnel, including delegation of responsibility and motivation of staff.

Must have at least 12 semester hours of college credit in early childhood development, child development, child psychology, or the equivalent, or hold a current CDA credential, or Montessori Certificate.

In addition to the above specific facility type requirements, Administrators for *all child care facility* types must provide supporting documentation showing they meet the following qualifications:

- Are an adult with sufficient experience;
- Have early childhood training or education to fulfill the duties of an Administrator;
- Have an understanding of the development of children;
- Have the ability to care for children;
- Have the skills to work with:
 - Children;
 - Family members;
 - Department staff;
 - Community agencies; and, if applicable
 - Staff of the child care facility.
- Have the skills necessary to handle finances and plan and evaluate programs.
- Have completed the health and safety trainings required by 7 AAC 57.350(a)(4):
 - Prevention and control of infectious diseases, including immunizations;
 - Prevention of sudden infant death syndrome and use of safe sleeping practices for children of all ages;
 - Administration of medication, consistent with standards for parental consent;
 - Prevention of and response to emergencies due to food and allergic reactions;
 - Building and physical premises safety, including identification of and protection from hazards, bodies of water, and vehicular traffic Staff of the child care facility.
 - Prevention of shaken baby syndrome, abusive head trauma, and child maltreatment;
 - Emergency preparedness and response planning for emergencies resulting from a natural disaster, or a human-caused event;
 - Handling and storage of hazardous materials and the appropriate disposal of bio-contaminants;
 - Appropriate precautions in transporting children (*if applicable*);
 - Pediatric first aid and pediatric cardiopulmonary resuscitation (CPR); and
 - Recognition and reporting of child abuse and neglect under state and local law.

I certify that the contents of this form and information provided are true, accurate and complete.

Printed Name of Facility Owner/Governing Body Representative

Signature of Facility Owner/Governing Body Representative

Date

Printed Name of Administrator

Signature of Administrator

Date



Office Use Only

**Municipality of Anchorage
Child Care Licensing Program**

CHILD CARE FACILITY - ADMINISTRATOR REFERENCE

Administrators of licensed Child Care Homes and Centers are required to submit references from individuals who can attest to their personal and professional experience, reputable character, ability to care for children, and ability to operate a child care facility.

Name of Administrator Applicant: _____

Name of Facility: _____

Please answer the following questions regarding the Administrator Applicant:

1. How long have you known this individual, and in what capacity?

2. Please explain how this individual has worked successfully with children and families and acted as a positive role model for children.

3. Please explain how this individual's particular skills and abilities will support them to work successfully with children, family members, department staff, community agencies, and staff of the child care facility.

4. Please explain how this individual has demonstrated the characteristics of a responsible individual of reputable character, who exercises sound judgment.

5. Describe how you would feel about leaving a child in this individual's care.

6. Explain why you believe this individual is qualified to operate a licensed child care facility.

7. Explain this individual's administrative and supervisory skills as it would relate to their leadership position in a child care facility.

To your knowledge, has this individual:

8. Ever abused or neglected a child? YES NO

9. Been charged with or convicted of a crime? YES NO

To your knowledge, does this individual have:

10. A physical or behavioral health problem that poses a significant risk to children in care? YES NO

11. A domestic violence problem that poses a significant risk to children in care? YES NO

If you answered YES to any of the questions 8-11, please explain.

12. Please include any additional comments and/or information you would like to share:

You may also contact the Child Care Licensing program at 907-343-4758 with any questions or concerns. A Child Care Licensing Specialist may follow up with you regarding this reference.

Thank you for your assistance.

Printed Name of Individual Providing Reference

Phone Number

Signature of Individual Providing Reference

Date



Municipality of Anchorage
Child Care Licensing Program

Office Use Only

CHILD CARE ASSOCIATE DESIGNATION AND QUALIFICATION FORM

Name of Child Care Associate Applicant: _____

Name of Facility: _____

This form provides the department with information supporting the individual identified by the facility meets the qualifications to be designated as a Child Care Associate (CCA).

1. Read, mark, and attach for each qualification, supporting documentation showing compliance with licensing regulations. Supporting documentation includes but is not limited to, proof of:
 - **Age** – such as birth certificate, passport, or passport card; driver's license, or state identification card;
 - **Education and/or training** – such as transcripts, certificates of completion, training or employment training attendance records;
 - **Experience in child care, handling finances, and planning and evaluating programs** – such as a resume documenting employment history summarizing job duties performed.
2. Attach three completed *Child Care Center-Child Care Associate Reference* forms signed and dated by the person making the recommendation. At least one reference must be from an individual who can attest to the individual's professional skills. Two of the references must be from individuals who are not related to you.
3. Submit this form and all applicable attachments to the department for approval, when applying for a provisional child care license. Existing licensed facilities changing their CCAs must complete and attach this form to a *Report of Change Form CC95* and submit it to the department. The facility administrator will ensure the new assigned CCA meets the regulatory requirements below. The facility is required to keep a copy of this form and all applicable attachments in the individual's personnel file at the facility for department review during inspections.

The Child Care Associate must provide supporting documentation showing they meet the following requirements:

- Must be at least 21 years of age.
- Must have at least 12 semester hours of college credit in early childhood development, child development, child psychology, or the equivalent, or hold a current Child Development Associate (CDA) credential, or Montessori Certificate.

- Must have an understanding of the development of children.
- Must have the ability to care for children;
- Must have the skills to work with:
 - Children;
 - Family members;
 - Department staff;
 - Community agencies; and, if applicable
 - Staff of the child care facility.
- Must have the skills necessary to handle finances and plan and evaluate programs.

I certify that the contents of this form and information provided are true, accurate and complete.

Printed Name of Administrator

Signature of Administrator

Date

Printed Name of Child Care Associate

Signature of Child Care Associate

Date



**Municipality of Anchorage
Child Care Licensing Program**

Office Use Only

CHILD CARE CENTER - CHILD CARE ASSOCIATE REFERENCE

Child Care Associates of licensed child care centers are required to submit references from individuals who can attest to their personal and professional reputable character, experience, ability to care for children, and ability to operate a child care facility, if designated to do so in the absence of the administrator.

The following reference information is needed for the Child Care Associate applicant.

Name of Child Care Associate Applicant: _____

Name of Facility: _____

Please answer the following questions regarding the Child Care Associate applicant:

1. How long have you known this individual, and in what capacity?

2. Please explain how this individual has worked successfully with children and families, and acted as a positive role model for children.

3. Please explain how this individual's particular skills and abilities will support them to work successfully with children, family members, department staff, community agencies, and staff of the child care facility.

4. Please explain how this individual has demonstrated the characteristics of a responsible individual of reputable character, who exercises sound judgment.

5. Describe how you would feel about leaving a child in this individual's care?

6. Explain why you believe this individual is qualified to operate a licensed child care facility, if they were designated to do so in the absence of the administrator.

7. Explain this individual's administrative and supervisory skills as it would relate to their leadership position in a child care facility.

To your knowledge, has this individual:

8. Ever abused or neglected a child? YES NO
9. Been charged with or convicted of a serious crime? YES NO

To your knowledge, does this individual have:

10. A physical health or behavioral health problem that poses a significant risk to children in care? YES NO
11. A domestic violence problem that poses a significant risk to children in care? YES NO

If you answered YES to any of the questions 8-11, please explain.

12. Please include any additional comments and/or information you would like to share:

You may also contact the Child Care Licensing program at 907-343-4758 with any questions or concerns. A Child Care Licensing Specialist may follow up with you regarding this reference.

Printed Name of Individual Providing Reference

Phone Number

Signature of Individual Providing Reference

Date



Office Use Only

**Municipality of Anchorage
Child Care Licensing Program**

CHILD CARE LICENSING FACILITY PERSONNEL POLICIES CHECKLIST

Facility Name: _____

This form provides the department with information about the facility's personnel policies. Please submit this form and all applicable attachments to the department for approval.

Child care licensing regulations defines a "caregiver" as an administrator, child care associate, employee, student intern, regular parent classroom volunteer, substitute or any other individual in a child care facility whose duties include supervision of children with or without compensation.

REQUIRED:

AMC 16.55.110A., B. and 7AAC 57.220(a)(1-3). A child care facility with one or more employees shall provide personnel policies to those employees when they start employment at the facility. The personnel policies must include as applicable:

1. Personnel qualifications for each position title

- Age requirement
- Desired and minimum education requirement
- Desired and minimum experience requirement
- Required references

2. Job descriptions for each position title

- Title of position
- Person to whom employee is responsible to and/or for
- General position description and duties
- Daily routines
- Periodic and occasional duties
- Weekly work schedule (hours and days)

3. Evaluation procedures

- Procedures for annual evaluations
- Copy of blank evaluation form being used

4. Equal opportunity statement

5. Termination policy

6. Training plan

RECOMMENDED:

The following are areas recommended to be included in your personnel policies to reflect managerial best practices regarding communication and expectations of employees.

- Statement of employer vision, mission and goals
- Organization chart
- Statement of governing body/board members and role (if applicable)

Basic Terms of Employment:

- Hours of workday and workweek
- Overtime
- How time worked is documented
- When salaries are paid

Salaries and Benefits:

- Salary range
- How increases are determined
- Benefits provided (as required by Department of Labor - unemployment, work comp, etc.)
- Optional benefits provided (paid time off, child care discount, insurance, etc.)

Attendance and Leave Policies:

- Attendance expectation
- Policies on tardiness and absences
- Vacation/sick leave
- Leave specific to other circumstances (jury duty, funerals, voting, maternity, etc.)

Training Expectations and Requirements:

- Orientation and training requirements
- Annual training requirements for administrator
- Annual training requirements for child care associate
- Annual training requirements for caregivers
- CPR and First aid requirements

Disciplinary Actions and Grievance Procedures:

- Reasons for disciplinary action and process
- Reasons for dismissal
- Grievance process
- Appeal process

Other:

- Smoking policy and areas
- Parking policy and areas
- Use of facility telephone and personal cell phone use
- Policy about staff's own children at facility (if applicable)
- Requirements and recommendations about appropriate clothing and language

Facility Best Practice:

- Supervision of children
- Child-to-caregiver ratios
- Maximum group size

- Caregiver behavior and attitudes toward children
- Behavioral guidance
- Reporting abuse and neglect
- Medication – stored and administered as required by 7 AAC 10.1070
- Reducing the spread of disease
- Transportation rules (during emergencies or regular transporting)
- Nutrition & infant feeding
- Equipment & supplies
- Children with special needs
- Diapering procedures



Municipality of Anchorage Child Care Licensing Program

FIRST AID AND DISASTER KIT CHECKLIST

Facility: _____

Date: _____ Reviewed By: _____

This document is used to assist the child care facility in stocking First Aid and Disaster Kits with all of the items required by regulation.

Kit 1 Kit 2

		1. Alcohol or antiseptic wipes (for thermometer cleaning only)
		2. Band aids (adhesive bandages)
		3. Bandage tape
		4. Cold pack
		5. Current American Academy of Pediatrics or American Red Cross standard first aid-text or equivalent first aid guide
		6. CPR barrier device or mask
		7. Eye dressing
		8. Flashlight (working)
		9. Gauze pads (sterile)
		10. Gloves (disposable nonporous, nonlatex)
		11. <input type="checkbox"/> <input type="checkbox"/> Note pad and <input type="checkbox"/> <input type="checkbox"/> Pen or pencil
		12. Poison Control Center telephone number (1-800-222-1222)
		13. Roller gauze (flexible)
		14. Safety pins
		15. Scissors
		16. Soap
		17. Splints (including small, child sized)
		18. Thermometer
		19. Triangular bandage
		20. Tweezers
		21. Water (potable)
		22. Child Emergency Record card and written permission for the use of medication; only medication that is or may be needed for field trips and outings away from the facility for each child participating in the trip or outing.
		23. Container that will hold all the above items. Kit 2 is required for field trips or outings away from the facility. One full first aid kit must remain in the facility at all times.

Remember: Restock each first aid kit after use and regularly to ensure that any expiration date is not exceeded.

**CHILD CARE FACILITY
REQUIRED ITEMS FOR YOUR * ABBREVIATED FIRST AID KIT**

	1.Band aids (adhesive bandages)
	2.Bandage tape
	3.Cold pack
	4.CPR barrier device or mask
	5.Emergency Record Card (for children participating in walk)
	6.Gauze pads (sterile)
	7.Gloves (disposable nonporous, nonlatex)
	8.Medication that may be needed on the walk and permission form
	9.Tweezers
	10.Water (potable)

*An abbreviated first aid kit is not required but may be used for a neighborhood walk of 30 minutes or less in lieu of the second full kit.

REQUIRED ITEMS FOR YOUR DISASTER KIT

	1.Battery-operated radio and batteries (at least one)
	2.Blankets
	3.Flashlight and batteries (at least one)
	4.Nonperishable food
	5.Water (potable)

The disaster kit should be conveniently located in an easy to reach area.

Note: Emergency preparedness organizations and government agencies such as the Red Cross and the Department of Homeland Security recommend maintaining enough supplies on hand to last for **72 hours**.

Resources:

State of Alaska 7 – Day Survival Kit

<http://www.muni.org/Departments/OEM/Prepared/Documents/DHSEM-7-Day-Survival-Kit.pdf>

Municipality of Anchorage Emergency Management website

<http://www.muni.org/departments/oem/Pages/default.aspx>



Municipality of Anchorage
Child Care Licensing Program

Office Use Only

EMERGENCY EVACUATION DRILL REPORT

Child care facilities are required by child care licensing regulations and child care assistance regulations to record their monthly emergency evacuation drills (7AAC 10.1010(f), (7 AAC 41.222) and make their recordings available to the department upon request.

Facility Name: _____ Date of Drill: _____

Date of Rescheduled Drill: _____ Reason for Postponement: _____

Time Drill Started: ___ a.m. p.m. Time Evacuation Completed: ___ a.m. p.m.

Was everyone evacuated within 150 seconds? Yes No

If "No," please explain: _____

1. Describe responses of the children during the drill: _____

2. List the names of children present who did not participate and reasons for non-participation.

Name of Child:	Reasons for non-participation:
_____	_____

3. Names of employees on duty during drill: Actions taken by each employee:

4. Were existing policies followed? Yes No (If "No", please explain and then proceed to #6):

5. Were the existing policies effective? Yes No (If "No", describe how the policy will be revised for future drills):

6. List any suggestions for improving future drills:

7. Was this drill modified? For example, did you use an alternative route? Yes No

a. List reasons for modification(s):

b. Describe nature of the modification:

Name and title of person completing this form:

Printed Name

Title

Signature

Date



Municipality of Anchorage
Child Care Licensing Program

Get Out Alive!

Disaster Preparedness and Emergency Evacuation Plan

Office Use Only

A licensed child care facility must have a disaster preparedness and emergency evacuation plan that includes evacuation procedures that will ensure the complete evacuation of children in care, including children with limited mobility, within 150 seconds (2 ½ minutes). For further information, refer to 7AAC 10.1010 (Licensed Providers). This form is provided for your convenience to document your facility's Disaster Preparedness and Emergency Evacuation Plan or to use as a guideline for developing your own plan. All of the requirements listed in this guideline are required as part of your Disaster Preparedness and Emergency Evacuation Plan.

The Disaster Preparedness and Emergency Evacuation Plan requires both a floor plan mapping your child care facility's evacuation routes and a written plan describing the procedures to be followed.

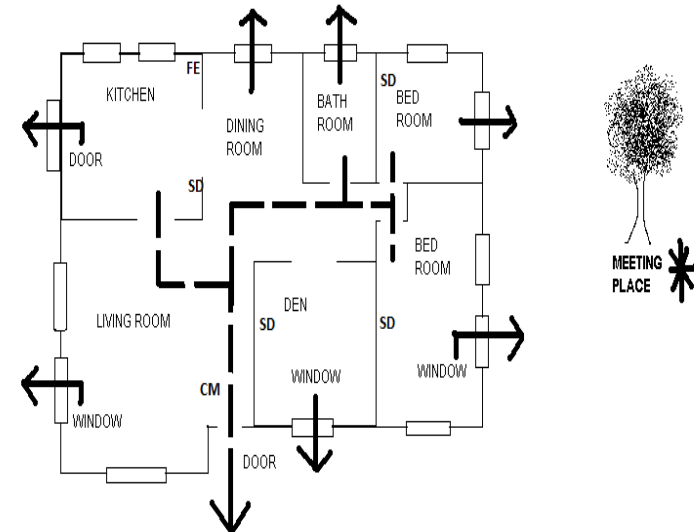
The floor plan must include identification of:

- Smoke detectors, fire extinguishers, and carbon monoxide detectors;
- Escape routes from every room with doors and windows clearly marked for each level of the child care facility; and
- Specified meeting place outside the facility.

The written plan must describe detailed procedures the child care facility will follow, including:

- How the facility will ensure evacuation of everyone within 150 seconds, including children under 30 months of age, children with limited mobility, and children who otherwise may need assistance in an emergency, including a child who is mentally, visually, or hearing impaired;
- What the facility will do during emergency situations or natural disasters that may affect the facility, including, as appropriate:, fire, tsunami/ flooding, earthquake emergencies, lock-down, shelter in place and etc.;
- The relocation site and plan to reunify children with their parents in the event of the need to relocate due to an evacuation;
- How the facility will conduct and record monthly emergency evacuation drills and ensure participation of all employees who are on duty during the scheduled drill;
- The location of disaster and first aid kit(s); and
- Training of staff on the implementation of the Disaster Preparedness and Emergency Evacuation Plan.

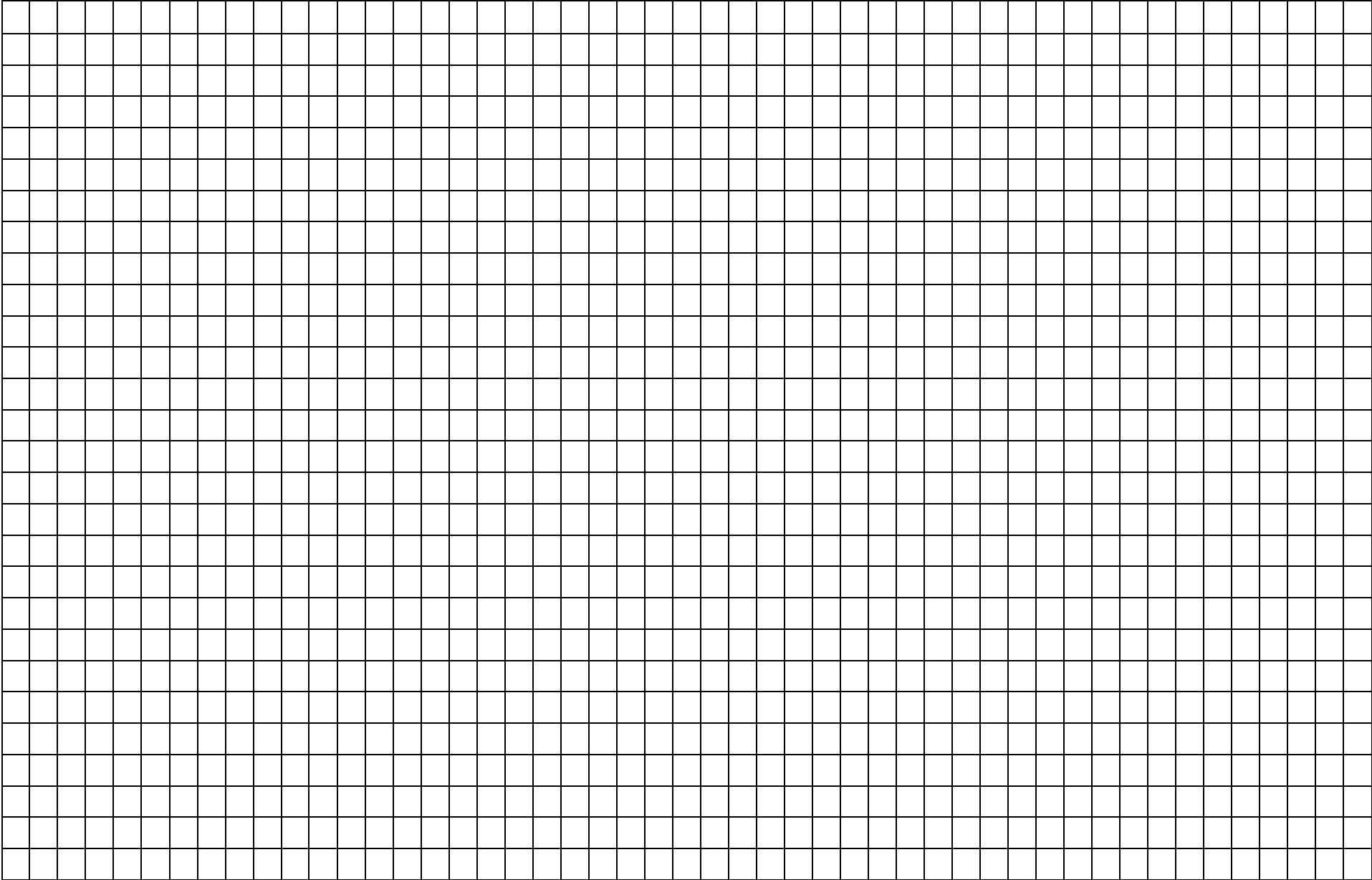
Sample Floor Plan Evacuation routes (each floor of child care facility must be drawn separately)



FE = Fire Extinguisher
SD = Smoke Detector
CM = Carbon Monoxide Detector

Facility Name: _____ Physical Address: _____

Facility Floor Plan:





Office Use Only

Municipality of Anchorage Child Care Licensing Program

PERMISSION TO OPERATE A CHILD CARE BUSINESS

An Applicant who applies for a Child Care License through the Municipality of Anchorage Child Care Licensing program must meet all applicable requirements, including but not limited to the following:

1. The Applicant must submit evidence of the property owner's permission to operate a child care business prior to receiving a license. This form completed and signed by the property owner/property manager must be submitted by the applicant to licensing as part of the application packet.
2. The entity and premises must meet all of the regulatory and safety requirements. An inspection by licensing will be conducted to determine the facility meets all health and safety requirements.
3. The entity must comply with local and state fire requirements, as applicable to facility type. An inspection or plan review by the local Fire Marshall will be conducted if the application is for six or more children to ensure the facility meets all applicable fire code requirements.
4. The entity must comply with Department of Conservation (DEC) requirements for water supply and/or wastewater and food preparation (fir centers). An application to be licensed as a child care center requires an inspection by DEC. Applications to be licensed as a home may require an inspection by DEC for water supply and/or wastewater disposal.

This form must be filled out by the property owner or manager notifying the program of whether or not the applicant has your permission to operate a licensed child care business in the building you own. If you have questions or concerns to report, please contact the Child Care Licensing Program at (907) 343-4758. Please keep a copy for your records.

Name of Applicant: _____

Physical Address of Facility: _____

Name of Property Owner/Property Manager: _____

Mailing Address of Property Owner/Property Manager: _____

Daytime telephone number of Property Owner/Property Manager: _____

Property Owner **Property Manager**

I give my permission for my tenant to operate a licensed child care business at the aforementioned property. I attest that the covenants, homeowner's association bylaws, and other applicable neighborhood restrictions do not forbid operating a child care business at this address.

I do not give my permission for my tenant to operate a licensed child care business at the aforementioned property.

Printed Name of Property Owner / Property Manager _____
Date

Signature of Property Owner / Property Manager



**Municipality of Anchorage
Child Care Licensing Program**

Office Use Only

PLAN FOR SHARED USE OF A CHILD CARE FACILITY

Facility Name: _____

Identify the spaces that will be shared.

Describe how the building/premises will be shared? (Attach schedules, floor plans, etc. as needed to explain proposed shared use.)

Will there be any sharing of staff members? If so, attach *Child Care Facility Staffing Plan* CC71 describing how this will be handled?

List any anticipated short-term or ongoing events such as conferences and/or meetings for which the child care facility space will be used, if applicable. Include the name of the event(s) and associated date(s)/timeframe(s). If not applicable, write "None".

What is the facility's plan for safeguarding children and their confidential information, if applicable?

Administrators Printed Name

Administrator Signature

Date



**Municipality of Anchorage
Child Care Licensing Program**

CHILD CARE FACILITY PARENT POLICIES CHECKLIST

Facility Name: _____

This form provides child care licensing with information about the facility's parent policies. Please submit this form and all applicable attachments to the Child Care Licensing (CCL) Program office for approval.

REQUIRED:

AMC 16.55.160 and 7 AAC 57.410. At or before a child's admission, a child care facility shall supply a parent with the following information in writing:

- Enrollment requirements and procedures
- Fees and payment requirements
- Hours and days of operation, including holidays
- Summary plan for supervision of children (required for all facility types under 7 AAC 57.500 but must be in writing for centers per 7 AAC 57.410)
- Number and ages of children served
- Policies and provisions for ill children, including parent permission for medication, if applicable
- Typical daily schedule of activities for each age group of children in care (7 AAC 57.520)
- Screen viewing time, including TV, movie viewing, computers, video games, and hand-held devices (in compliance with AMC 16.55.190C. through E)
- Behavior guidance practices (in compliance with AMC 16.55.200 and 7 AAC 57.535)
- Cold weather outdoor play policy (following local school district outdoor recess policies is recommended)
- List of examples of meals and snacks served [in compliance with AMC 16.55.220A.2. and 7 AAC 57.560(a)]
- Parent permission policy for activities away from the facility
- Transportation arrangements, if any [in compliance with AMC 16.55.230B. through E. and 7 AAC 57.565(d)]
- Parental access and visiting policy [in compliance with 7 AAC 57. 520(e)]
- Use of substitute, emergency, and volunteer caregivers
- Animals present in the facility, if applicable [in compliance with 7 AAC 10.1090 (b)]
- Firearms in the facility, if applicable [in compliance with 7 AAC 10.1080 (c)]
- Poisonous plants in the facility, if applicable [in compliance with 7 AAC 10.1095 (b)]
- Nondiscrimination policy as required by state law and AMC 5:20 (AMC 16.55.160A.1.)
- Information provided by the department about the parent's role to help ensure a reasonably safe and developmentally appropriate environment, and about the complaint investigation role of the department, and contact information for the department office. This is satisfied by the facility providing the parent with a copy of the ***Parents' Guide to Licensed Child Care CC61***
- Suspension and expulsion policy in compliance with behavior guidance practices in 7 AAC 57.535
- Policy for notifying parents about any changes to the information in the policies above

Note: Additional Parent Policies can be added at the discretion of the facility, such as: facility closures, termination of care notification requirements, etc.



Municipality of Anchorage Child Care Licensing Program



PARENTS' GUIDE TO LICENSED CHILD CARE

This form is required to be included in a child care facility's policy and must be provided to parents at enrollment.

◆ **Choosing care for your child is a significant decision.**

When you entrust the care of your child to another person, you are making an important decision. Visit, ask questions, and carefully compare several programs. Licensed care includes child care homes and centers. Your choice depends on what you want and need for your child.

◆ **Licensing is a key to quality child care.**

Licensing promotes good care by setting basic health and safety standards. Before a home or center is granted a child care license, it must meet minimum regulatory standards such as: health, safety, and program requirements. Child Care Licensing Specialists from the Child Care Licensing Program conducts on-site inspections at a facility to monitor regulatory compliance and to investigate reports of concern. The goal of licensing is to prevent predictable risks of harm to children; however, licensing cannot guarantee that a facility meets all requirements at all times.

◆ **An informed parent is a key to quality child care.**

Parents are responsible for choosing and monitoring their child's care. Licensors generally visit a minimum of twice a year, but you visit each time you take your child. Visit unexpectedly sometimes or in the middle of the day. Keep an eye on the quality of care. What do you see when you visit? Is the environment safe? Are caregivers knowledgeable, nurturing, and communicating with you about your child's daily care and needs? How many children are present, are there enough caregivers? Are activities appropriate? Watch how your child responds to the program and interacts with caregivers. Listen to what your child says and pay attention to changes in their behavior. It's ultimately a parent's decision to choose a facility which meets their family's needs and their standards for health, safety, and quality.

◆ **What to do if you have questions or concerns about the care your child is receiving:**

First discuss with your caregiver or the facility's Administrator or Child Care Associate if you have any concerns, observe any health or safety issues, or feel the facility's program needs improvement. If you are still concerned, believe children may be in danger, or feel a licensing standard has been violated, **contact the Child Care Licensing Program at 907-343-4758** or via email at HHSCCL@muni.org.

CHILD-TO-CAREGIVER RATIO REQUIREMENTS FOR LICENSED CHILD CARE FACILITIES

CHILD CARE HOMES

- 1 caregiver required; must be at least 21 years of age
- No more than 5 children younger than 13 years of age, including the caregiver's own children, without fire safety approval
- No more than 8 children total younger than 13 years of age, including the caregiver's own children, with fire safety approval
- No more than 3 children under the age of 30 months
- No more than 2 children may be non-ambulatory
- No more than 5 children, including the caregiver's own children under the age of 18 years, are allowed in nighttime care between the hours of 10:00 p.m. and 6:00 a.m., with fire safety approval

CHILD CARE CENTERS

- Administrator and/or Child Care Associates must be at least 21 years of age
- 9 or more children in care, with fire safety approval

The number of caregivers, who are at least 18 years of age, need to meet child-to-caregiver ratios:

- 1 caregiver for every 4 young infants (birth through 11 months)
- 1 caregiver for every 5 older infants (12 months through 18 months)
- 1 caregiver for every 6 toddlers (19 months through 35 months)

- 1 caregiver for every 10 preschools children (3 to 4 year olds)
- 1 caregiver for every 10 kindergarten children (5 to 6 year olds)
- 1 caregiver for every 10 school age children (7 through 12 year olds)

See AMC 16.55.170 for allowable maximum group sizes in a center

CHILD CARE FACILITIES MUST MEET THE FOLLOWING REQUIREMENTS TO BE LICENSED

TO BE LICENSED

- Required to apply for a Provisional or Biennial License
- Must meet all licensing standards and requirements
- Must be in compliance with all licensing regulations
- Must allow the Child Care Licensing (CCL) program access to inspect the facility and premises to ensure licensing compliance and to investigate complaints
- All staff/household members must have valid criminal history check from the State of Alaska Background Check Program
- All caregivers must meet the licensing early child development training requirements

OBTAIN FROM PARENTS

- Child's immunization records or an approved exemption form
- Child emergency information
 - must be updated by parent when changes occur or at least semi-annually
- Permission for:
 - medication administration
 - transportation
 - field trip participation
- A plan of care for a child identified with a special need
- A behavior guidance plan for a child with a behavior issue

PROGRAM REQUIREMENTS

- Must promote children's healthy development
- Must include quiet and active, group and individual, indoor and outdoor activities
- Must include minimum of 20 minutes of vigorous physical activity for every 3 hours in care
- Must prohibit screen time viewing including T.V., computers and hand-held devices for children under two years of age
- Must ensure screen time viewing for children two years and over is limited to 1 hour in a 24-hour period except for special occasions
- Must have a specialization approved by CCL to provide nighttime care or allow children to participate in a moderate risk activity

SUPERVISION

- Ensure children are always supervised by an adult caregiver
- Ensure children receive age appropriate supervision
- Ensure a child's whereabouts are known at all times while in care
- Ensure child-to-caregiver ratios are always met

SAFETY

- Must meet CCL and fire safety standards
- Must have an emergency evacuation plan, train staff, and document monthly evacuation drills
- Ensure water temperature is between 100 and 120 degrees Fahrenheit
- Ensure firearms and ammunition are stored properly away from children. Note: firearms and ammunition are prohibited in a child care center.
- Ensure the facility is free of hazards inside and outside
- Ensure electric outlets accessible to children under age 5, have child protective outlet covers

BEHAVIOR GUIDANCE

- Must be positive and never cruel, humiliating, or damaging to the child
- Must set realistic expectations and clear and consistent limits
- Must not be disciplined or punished related to eating, napping, or toileting
- Ensure if time-outs are used they are age appropriate and a child is never removed from other children for more than 10 minutes
- Ensure corporal punishment of children is prohibited. Note: corporal punishment means “the infliction of bodily pain as a penalty for a disapproved behavior. It includes shaking, spanking, delivering a blow with a part of the body or an object, slapping, punching, pulling or any other action that seeks to induce pain.

HEALTH

- Ensure the facility meets cleaning and sanitation standards
- Ensure meals and snacks are nutritious and follow Alaska Food Program standards
- Ensure sanitary practices are used for food preparation and handling
- Must notify parents if their child is exposed to a contagious or communicable disease
- Ensure a medical provider approves attendance before admitting a seriously ill child
- Ensure drinking water is safe
- Ensure facility is smoke free
- Ensure there is always a caregiver with CPR and first aid certification present
- Ensure medicine and toxic materials are labeled and stored safely out of reach
- Ensure medicine is only administered with parent permission
- Ensure a caregiver’s own child and all children in care are treated equitably

EQUIPMENT AND SUPPLIES

- Ensure furniture and equipment are safe and durable
- Ensure there is an adequate and varied amount of age appropriate toys and books available for children in care
- Ensure children have storage space for their belongings
- Ensure children under age 5 have a cot/mat/bed and bedding that is clean and sanitary for resting
- Ensure infants sleep on their backs in an approved crib free from materials and blankets that could increase the risk of suffocation

SPACE

- Must have indoor and outdoor space to accommodate the physical and developmental needs of children in care:
 - 35 square feet of usable indoor space per child
 - 75 square feet of usable outdoor space per child



Municipality of Anchorage
Child Care Licensing Program

Office Use Only

PLAN OF CARE FOR A CHILD WITH SPECIAL NEEDS

Facility Name or Provider First and Last Name: _____

Child's Information:
Child's First and Last Name: _____
Date of Birth: _____ Enrollment Schedule: _____
Caregiver(s) responsible for the child's primary care: _____

Child's Care Need: Complete the following information as completely as possible describing the child's need in a child care setting and how you will accommodate their need. (Attach supporting documentation, if applicable.)
1. Results of medical and developmental examinations to describe the child's special need: _____ _____ _____
2. Assessment of the child's cognitive functioning and overall functioning level and skills: _____ _____ _____
3. Evaluation of the family's needs, concerns, and priorities related to the child in a child care setting: _____ _____
4. Does the child have an individualized family service plan (IFSP) or individualized education program (IEP)? _____
5. What additional services will the child need to receive while in the child care setting and who will these services be provided by? _____ _____ a) Coordinating the needed service to be provided is the responsibility of: _____ b) Payment for these services is the responsibility of: _____
6. Describe other evaluations completed which may assist the facility/provider in caring for the child: _____ _____

Facility or Provider services: Describe the specific services you will provide in functional outcome objectives, and identify the responsibility for the provision and financing.

1. Service(s) needed from the child care facility for the child to meet functional outcome objectives: _____

2. List additional special accommodations the facility/provider must provide for this child: _____

3. What routine care is required specific to the child's needs: _____

4. What, if any, emergency and/or medical procedures are required to meet the child's needs: _____

5. What, if any, specific training must the facility staff/provider have to care for the child: _____

6. What, if any, special materials or equipment is needed to care for the child: _____

The Plan of Care for child, _____, has been discussed between the parent(s)/guardian, facility administrator, and primary caregiver and agreed upon for the child's admission to or continued enrollment at the facility/provider.

The facility/provider:

is able to provide the required care to meet the child's needs. The child is enrolled or will remain enrolled.

Or

is not able to provide the required accommodates and/or meet the child's needs. The child is not enrolled or has been given the required notice for ending care.

Parent/Guardian Signature

Date

Primary Caregiver Signature

Date

Facility Administrator/ Provider Signature

Date